

## Naval® Model Flushometer

# 313 313-1.6

### ► Description

Concealed Water Closet Foot Pedal Flushometer, for wall hung concealed back spud bowls. Especially suited for harsh and salt water conditions.

### ► Flush Cycle

- Model 313 (factory set at 3.5 gpf/13.2 Lpf)
  - Model 313-1.6 (factory set at 1.6 gpf/6.0 Lpf)
- Valve Adjustment Range: 1.5 gpf/5.7 Lpf to 7.0 gpf/26.5 Lpf

### ► Specifications

Quiet, Concealed, Adjustable Piston Type, Rough Brass Foot Activated Closet Flushometer for either left or right hand supply with the following features:

- Metal Non-Hold-Open Foot Pedal with Triple Seal Handle Packing
- Self-cleaning Xpelor® Bypass
- 1" I.P.S. Wheel Handle Bak-Chek™ Angle Stop
- Adjustable Tailpiece
- 1" Female I.P.S. Union Outlet
- 1" Inlet Adapter, Elbow Flush Connection and Spud Coupling for 1½" Concealed Back Spud
- Exposed Parts Chrome Plated
- Ultra High Copper, Low Zinc Brass Castings for Dezincification and Salt Water Resistance
- Handle Packing, Stop Seat and Vacuum Breaker to be Molded from PERMEX™ Rubber Compound for Chloramine Resistance

Valve Body, Cover, Tailpiece and Control Stop shall be in conformance with ASTM Alloy Classification for Red Brass. Valve shall be in compliance to the applicable sections of ASSE 1037, ANSI/ASME 112.19.2, and Military Specification V-29193.

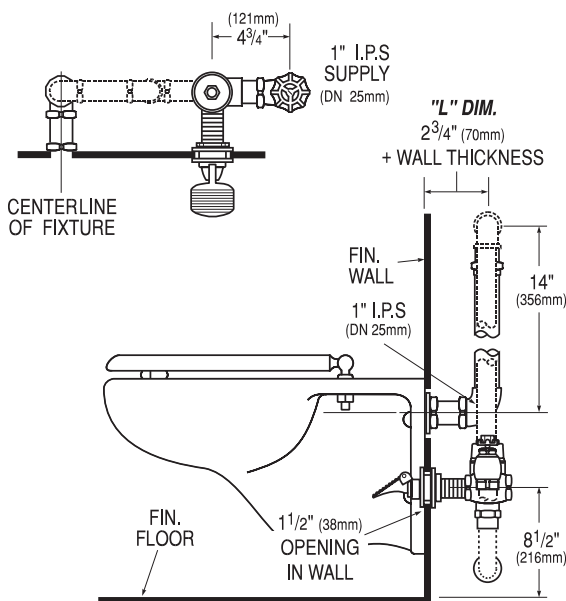
### ► Variations

- GJ** Ground Joint Stop and Tailpiece
- YB** Sweat Solder Adapter Kit
- XYV** Less Vacuum Breaker

**NOTE:** Bak-Chek™ Angle Stop available with 1" Whitworth Thread (please specify).

Ground Joint Stop (GJ) recommended for salt water applications.

See Accessories Section of the Sloan catalog for details on these and other Flushometer variations.



This space for Architect/Engineer approval

The information contained in this document is subject to change without notice.

## SLOAN®

Made in the U.S.A.

SLOAN VALVE COMPANY • 10500 SEYMOUR AVE. • FRANKLIN PARK, IL. 60131  
Ph: 1-800-9-VALVE-9 or 1-847-671-4300 • Fax: 1-800-447-8329 or 1-847-671-4380  
<http://www.sloanvalve.com>